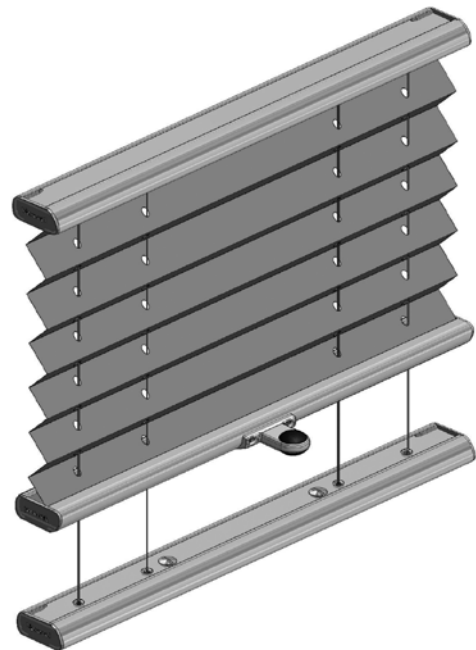


# Conservatory PLeated

## Product information

Verosol's Conservatory Pleated Blind – Wand Operated is truly a unique blind. Designed for conservatories and/or skylight windows on inclined windows. Not only is the Conservatory Pleated Blind kept in position by Guide Wires, but its specifically designed tension wires mean that the blind can be positioned at any degree of opening, without falling down. For ease in operation, Wand Operation is used for windows out of reach. Choose from one of Verosol's metal backed fabrics and this pleated blind will help control heat and glare in summer and reduce heat loss in winter.



## Technical information

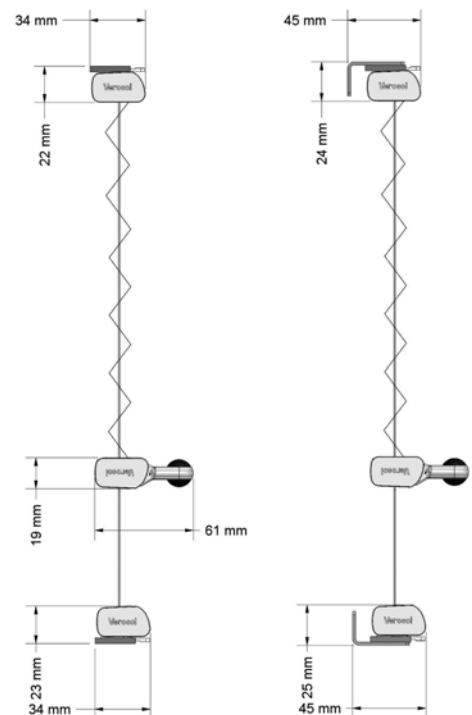
<b>Product Code</b>	P74.1	
<b>Product Name</b>	Conservatory Pleat	
<b>Operation</b>	Handle Bar operation	
<b>Dimensions</b>	Width	300mm min - 1500mm max
	Drop	200mm min - 4000mm max
	Cord Lock	1500mm maximum width
	Maximum Area	6m <sup>2</sup>
<b>Head Rail</b>	Material	Extruded Aluminium Alloy- Asymmetric Profile
	Dimensions	33mm W x 20mm H
<b>Bottom Rail</b>	Material	Extruded Aluminium Alloy- Asymmetric Profile
	Dimensions	30mm W x 12mm H
	Colours	RAL 9001,9004,9010,7016,1001,1019, Anodised
	Paint	Electrostatic Powder coated and Baked
<b>Inner Rail</b>	Material	UV Stabilised Acrylonitrile Butadiene Styrene [ABS] Plastic
<b>End Caps</b>	Material	UV Stabilised Polymer Acrylic
	Colours	Coordinated chosen from Grey,Black,Sandy Beige,White
<b>Lift and Blind Cords</b>	Material	Braided Polyester [minimum diameter: 1,0mm]
	Colours	Grey,Black,Sandy Beige,White
<b>Blind Positioning</b>	Material	Friction stop created by crossed tensioned cords through the intermediate rail
<b>Cord Position</b>	Lift Cords 20mm from edge; Maximum spacing 500mm	
<b>Installation Brackets</b>	Material	Electro Plated Steel
	Operation	Top or Face Fixing - concealed when installed

# Conservatory Pleated

## Optional

Product Code	.	P74.2	P74.3	P74.4
Product Name	.	Conservatory Pleat	Conservatory Pleat	Conservatory Pleat
Operation	.	Mono Control Cord	Crank Operated	24V DC Somfy
Dimensions	Width	70mm min-3000mm max	70mm min-3000mm max	70mm min-3000mm max
	Drop	200mm min-3600mm max	200mm min-3600mm max	200mm min-3600mm max
Maximum Area	.	10m <sup>2</sup>	10m <sup>2</sup>	10m <sup>2</sup>
Head Rail	Dimensions	38mm W x 38mm H	38mm W x 38mm H	38mm W x 38mm H

## System diagrams



Top Fix

Face Fix

\* When the maximum fabric segment width of 2200mm is exceeded, blinds will have three equal segments with two overlaps in the blind. The maximum width of VeroCell fabric is 3000mm, the maximum drop of VeroCell fabric is 2700mm.